

TOTALIZING COUNTER

AC-116B

*Total Counter



■ Specifications

Count Input:	Contact: Counted when contact is closed (Use built-in external power supply) Voltage: "L" Counted at the rise to "H" "L": 0 to 2V DC "H": 4.5 to 30V DC
Maximum Counting Speed:	10cps/5kcps (By input terminal selection)
Minimum Pulse Width:	10cps: 50ms, 5kcps: 0.1ms
Input Resistance:	10cps: 6k, 5kcps: 12k
Maximum Counting Value:	999999
Display Method:	Leading zero on the upper display is not shown
Stored Data Hold:	Selected depending on types. Trickle charge by Ni-Cd battery. Duration: 5000 hours (When fully charged at 25°C)
External Control:	·Reset (When voltage is applied to reset terminals) Contact: Reset when contact is closed (Use built-in external power supply) Voltage: "L" Reset at rise to "H" "L": 0 to 2V DC "H": 4.5 to 30V DC Minimum pulse width, more than 0.1ms input resistance 6k Response time ON/OFF: less than 0.1ms Automatically reset when power is turned ON (Not reset for battery built-in type) ·Latch (Latched when voltage is applied to latch terminals) If latch input is applied during counting, a counted value during input rise is displayed without any modifications. However, since counting continues, the present counted value is displayed when latch input is released. Contact: Latched when contact is closed (Used built-in external power supply) Voltage: "L" Latched rise to "H" "L": 0 to 2V DC "H": 4.5 to 30V DC Response time: less than 0.1ms Input resistance 6k
Built-in External Power:	External power supply for sensor DC+12V, 50mA (at 100/200 VAC) Ripple: Less than 5%
Display:	LED 14.2 mm
Operating Temperature:	0~50°C, 35 to 85%RH
Power Supply:	AC90~132V AC180~264V
Power Consumption:	Approx. 3.5 VA (100/200V, External power of 50mA) Ripple: less than 5%
Dimensions:	48 (H) × 96 (W) × 95 (D)mm DIN Size
Weight (Unit only):	Approx. 350g

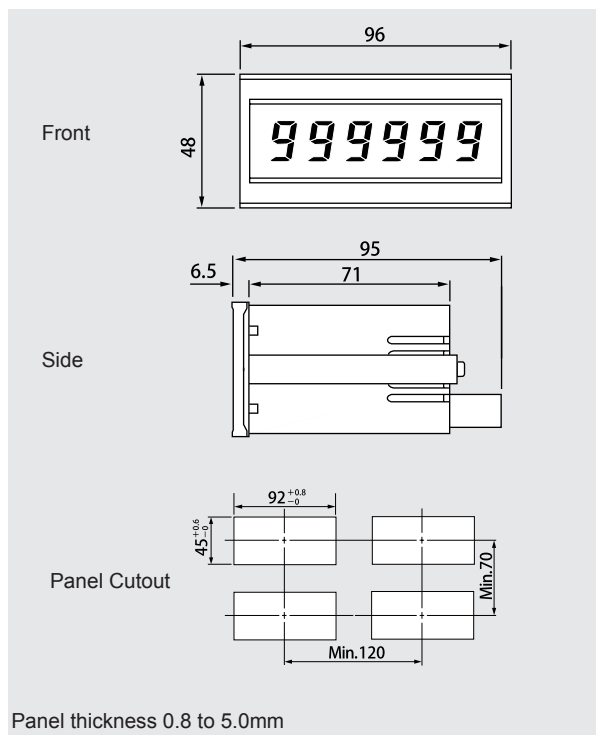
■ Features

- Back-up battery (option)
- Leading zero suppression
- Latch terminals
- Can provide power supply for sensor
- Bright LED 14.2mm (Red)
- Excitation power Supply

■ Ordering Code

AC-116B-	□ 2	
	└ Back-up	2. Provided
	└ Power Supply	{ 1. AC90~132V 2. AC180~264V

■ Dimensions



■ Connection Diagram

